

# VIOSO®

## Anystation Micro v.4



fig. similar

Form Factor	
General Design	industrial PC
Dimensions (WxHxD mm)	202 x 87 x 223
Weight	ca. 2.5 kg
Power Supply	external 300W
Application	
Warping & Blending	VIOSO 6 SIM
Auto Alignment	supported <sup>1</sup>
Desktop Resolution Adaption	supported <sup>2</sup>
Video Playback Solution	- VIOSO Exaplay - Vertex VIOSO (Micromedia)
Operating System	Windows 10 Enterprise LTSC (IoT)
Hardware	
CPU	Intel i7-12700, 12Cores, 2.1/4.8 GHz Base/Turbo freq.
RAM	16 GB DDR 5
GPU Primary	NVIDIA Quadro A2000 <i>Display Connectors: 4 x Mini Displayport please order appropriate adaptors</i>
GPU for UI	Intel onboard <i>Display Connectors: 3x Displayport V1.2 Note: cannot be used when desktop hooking is used</i>
Framelock / Genlock	-
HDD Primary	1x 512 GB SSD
HDD Secondary	1x 2 TB NVMe SSD
Warranty	
Software	2 years software maintenance for VIOSO 6 SIM 1 year software maintenance for Vertex VIOSO
Hardware	2 years bring-in warranty

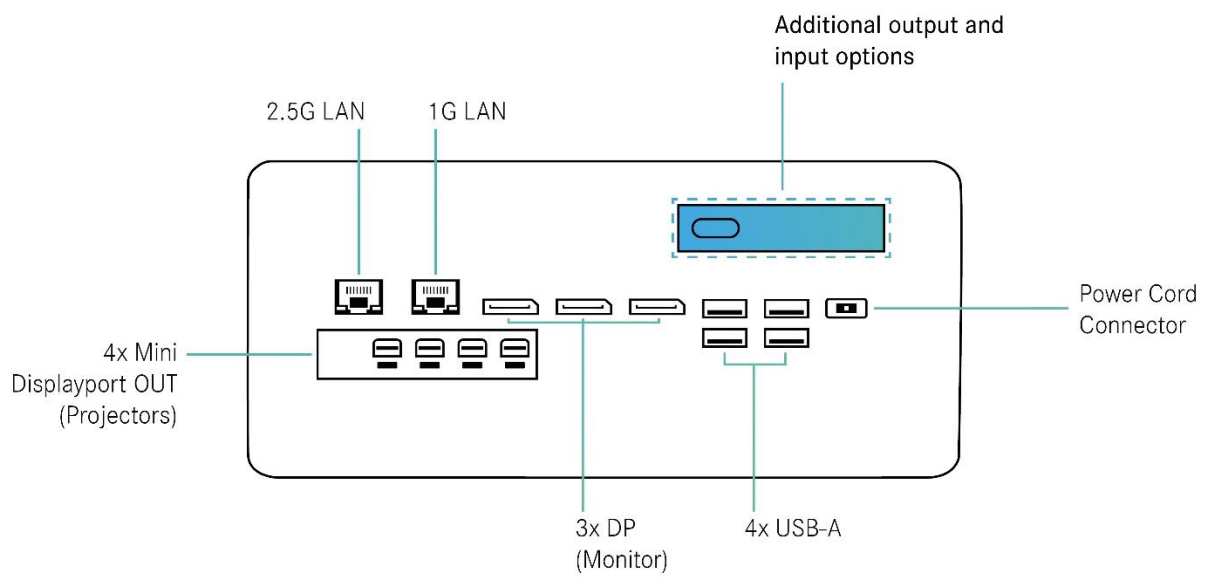
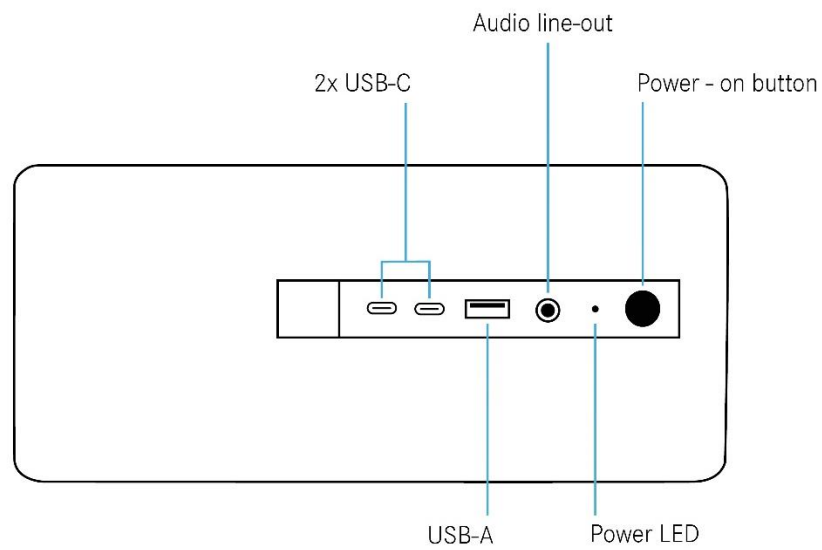
<sup>1</sup> Supports camera based projector alignment; for supported cameras see <https://helpdesk.vioso.com/faq/system/#3442>

<sup>2</sup> This hardware supports highest level of OS integration for warping and blending (desktop resolution adaption)

Interfaces	
USB	Front: 2x USB-C, 1x USB Rear: 4x USB
Ethernet	1x Ethernet (2,5 Gbit/s) 1x Ethernet (1 Gbit/s)
Wireless	Wireless LAN Intel® Wi-Fi 6 AX201 2x2 AX Bluetooth® 5.1 or above
Audio	
Audio Interface	onBoard 2.0 (Stereo)
I/O	1x Line out
Product Options	
Anystation Micro   4 Outputs <i>Incl. VIOSO 6 SIM + Exaplay</i>	AM4-4
Anystation Micro Media Dual   2 Outputs <i>Incl. VIOSO 6 SIM + Vertex VIOSO Dual</i>	AM4-2M
Anystation Micro Media Quad   4 Outputs <i>Incl. VIOSO 6 SIM + Vertex VIOSO Quad</i>	AM4-4M
Input Options	
1x HDMI <i>Capturing 1x up to 1920x1080 @60fps</i>	DP-LCHD
2x HDMI <i>Capturing 1x up to 3840x2160 @30fps and 1x up to 1920x1080 @60fps</i>	DP-LCHD2
1x 3G-SDI <i>Capturing 1x up to 1920x1080 @60fps</i>	DP-LCSDI
Adaptor Options	
Mini Displayport to DVI, Displayport and HDMI:	
Mini Displayport to DVI-D Mini DisplayPort 1.2 to HDMI 2.0 Mini Displayport to Displayport	ADP_mDP-DVI ADP_mDP-HDMI2 ADP_mDP-DP



# Technical Drawings



## Input options

