

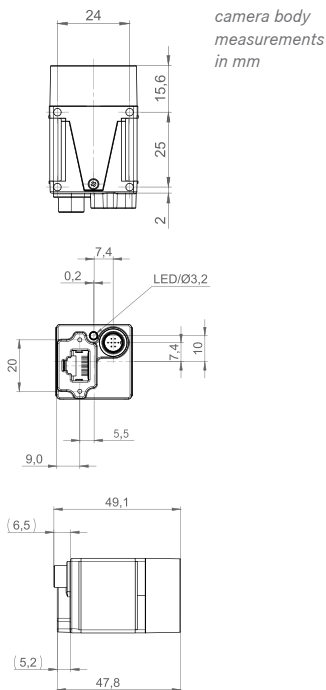


Calibration Kit Fulldome (b/w)

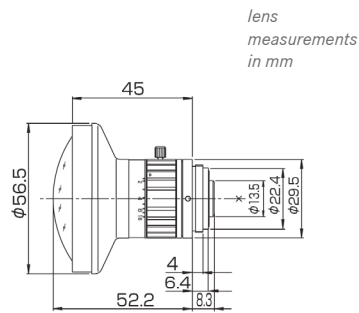
Ready to run kit consisting of 1" camera, fisheye lens and accessories



camera body



lens

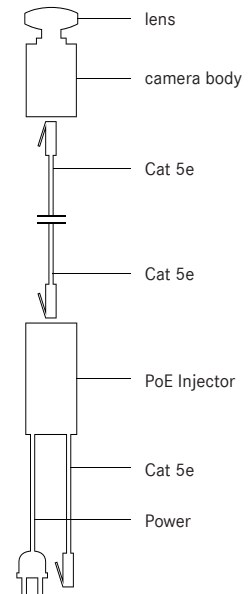


field of view



case

wiring diagram



Camera (Single Camera)

Part No.	5370CP/m
Lens Mount	C-Mount
Interface	GigE RJ45
Frame rate freerun mode	19.0 fps

Sensor (Single Camera)

Sensor type	CMOS Monochrome
Shutter	Global Shutter
Pixel Class	4 MP
Resolution (HxV)	2048x2048 Pixel
Sensor Size	1"
Pixel Size	5.5 µm

Lens parameters (Single Camera)

Part No.	FE185C086HA-1
Mount	C-Mount
Operation	Fixed focus, manual iris
Focal length	2.7 mm
Field of view (H/V/D)	185° / 185°
Iris range	F1.8 ~ F16

Product Options

Single Camera	for setting up dome screens with a single camera	CK/FD/m
Multi Camera	for setting up dome screens using multiple cameras; including intrinsic calibration and multicamera calibration software	CK/FD/f