

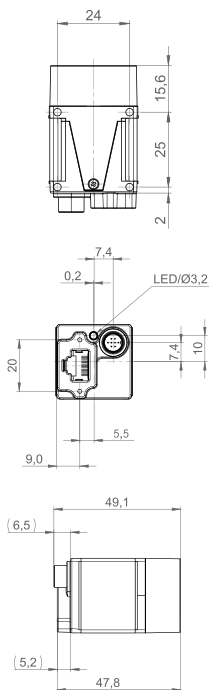


Calibration Kit Multipurpose (b/w)

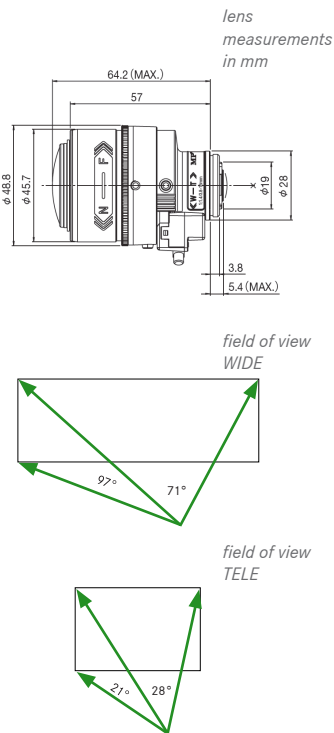
Ready to run kit consisting of 1/2" camera, varifocal lens and accessories



camera body

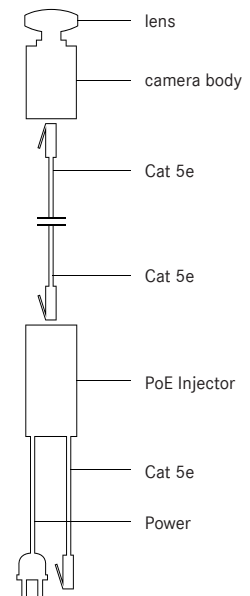


lens



case

wiring diagram



Camera

Part No.	5480CP/m
Lens Mount	C-Mount
Interface	GigE RJ45
Frame rate freerun mode	14.1 fps

Sensor

Sensor type	CMOS Monochrome
Shutter	Rolling/Global Start
Pixel Class	QSXGA
Resolution (HxV)	2560 x 1920 Pixel
Sensor Size	1/2"
Pixel Size	2.2 µm

Lens parameters

Part No.	DV3.4x3.8SA-1
Mount	C-Mount
Focal length	3,8 - 13 mm
Field of view WIDE (H/V/D)	97° / 71°
Field of view TELE (H/V/D)	28° / 21°
Iris range	F1.4 to closed

Product Options

Multipurpose Kit	standard kit for indoor and outdoor use; for panoramic screens, video walls, etc.	CK/S/m
------------------	---	--------